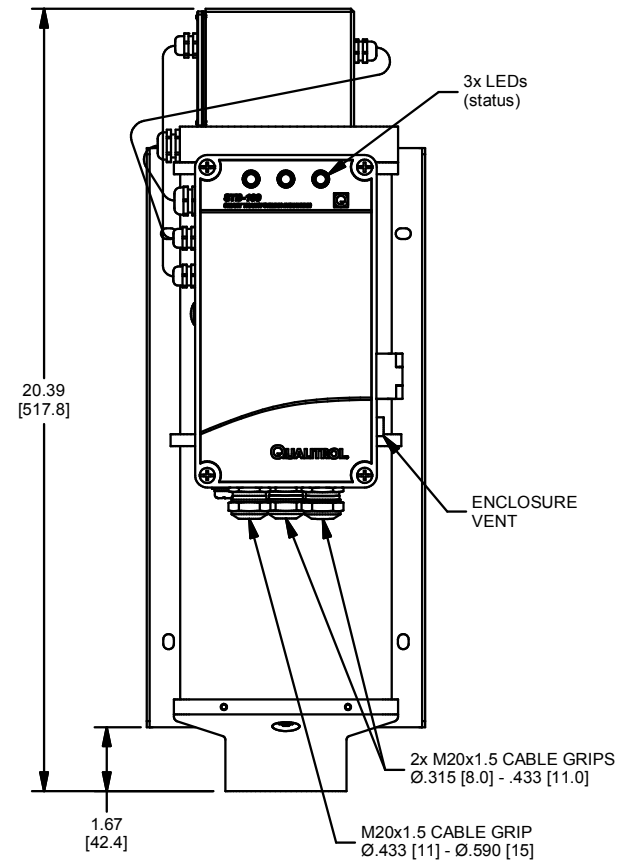
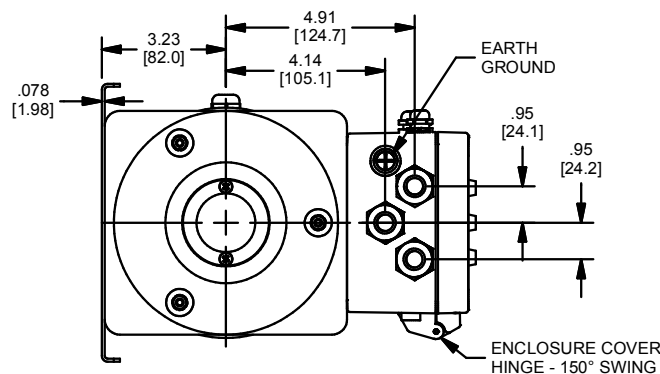
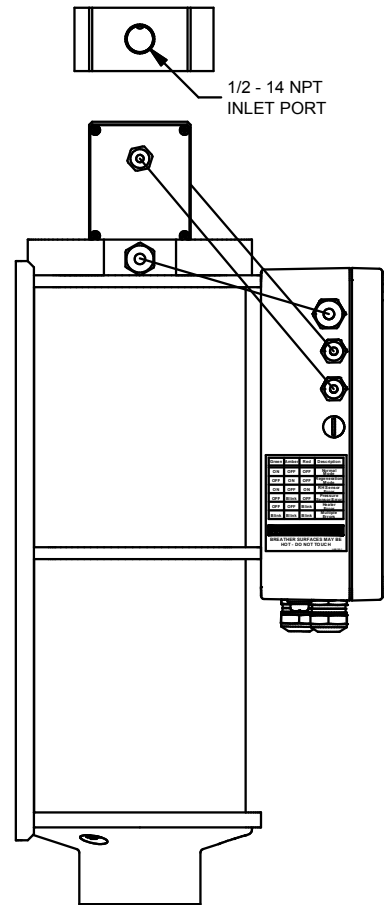
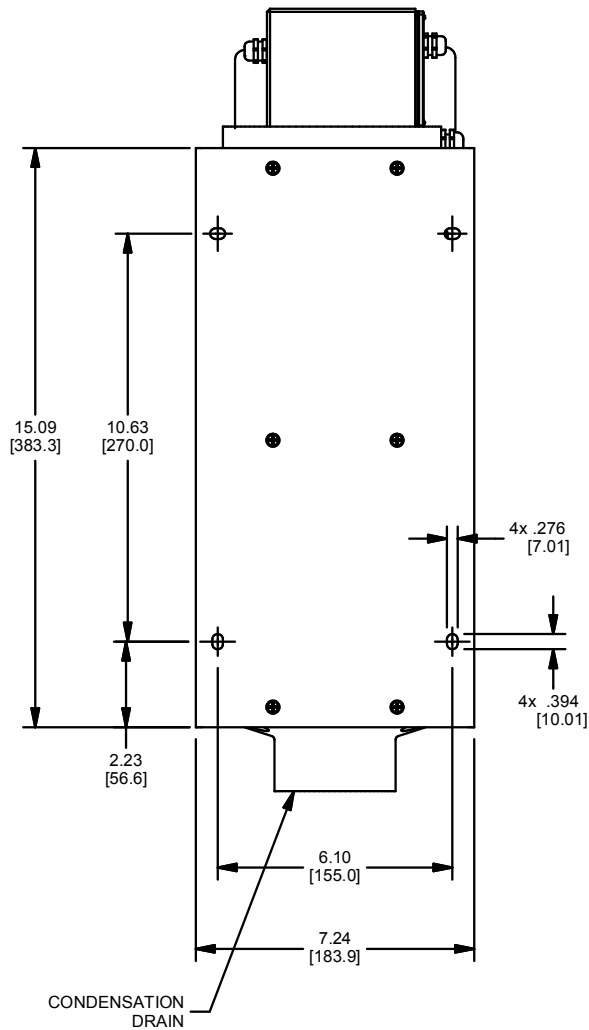


NOTICE
 THIS DRAWING IS THE PROPERTY OF QUALITROL CORPORATION AND IS LOANED ONLY ON THE CONDITION THAT IT WILL BE USED TO FACILITATE THE PURPOSE FOR WHICH INTENDED AND NOT BE REPRODUCED, COPIED OR OTHERWISE DISPOSED OF, AND IS NOT TO BE USED IN WHOLE OR PART FOR FURNISHING INFORMATION RELATIVE TO THE MAKING OF DRAWINGS, PARTS APPARATUS OR PARTS THEREOF, EXCEPT BY WRITTEN ORDER FROM QUALITROL CORPORATION.

MODEL NO. STB-100-2



PARTS INCLUDED WITH BREATHER:
 (Shipped Not Assembled to Breather)
 (2) 3/8" I.D. HOSE BARB FITTING w/
 1/2" NPT THREADS.
 (1) 3/8" I.D. BLACK RUBBER HOSE,
 6.5 FEET [2 METERS] LG.

-	10-27-14	2x M20x1.5 CABLE GRIPS WERE M16x1.5; ADDED SCREW FOR EARTH GROUND & HINGE TO CAPTURE ENCLOSURE COVER	32850
-	3-21-13	ADD COVER & CAUTION LABELS	31003
-	11-19-12	RELEASED	30526
LET	DATE	ALTERATION	C.N.

QUALITROL

DIMENSIONS AND TOLERANCES IN ACCORDANCE WITH ASME Y14.5M-1994

PH. (585) 586-1515
 FAX (585) 377-0220

1385 FAIRPORT ROAD
 FAIRPORT, NY 14450

FORM 0-473 REV.D 10/22/02

TITLE:
 Smart Transformer Breather - Large Capacity

MODEL NO. STB-100-2